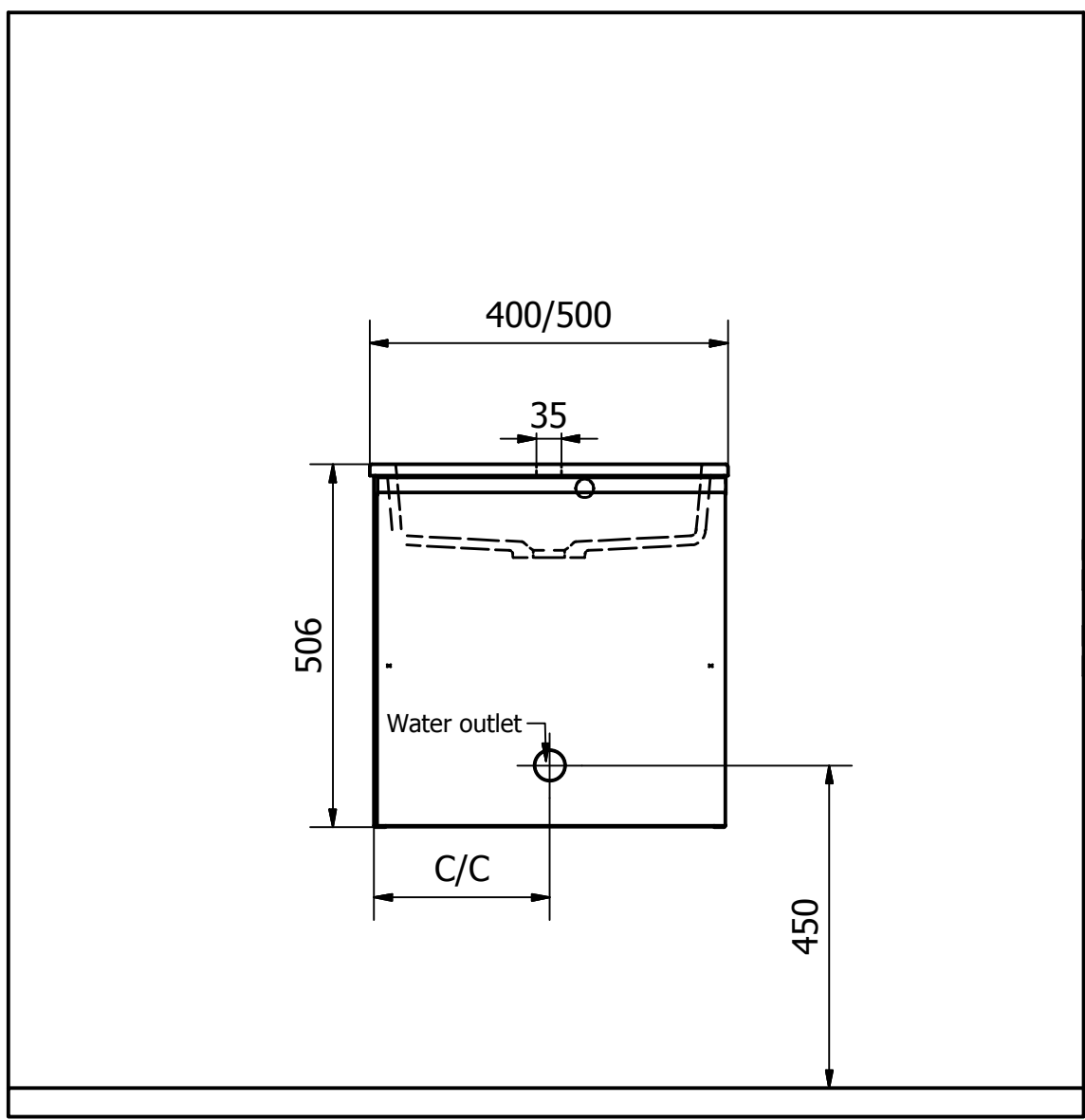
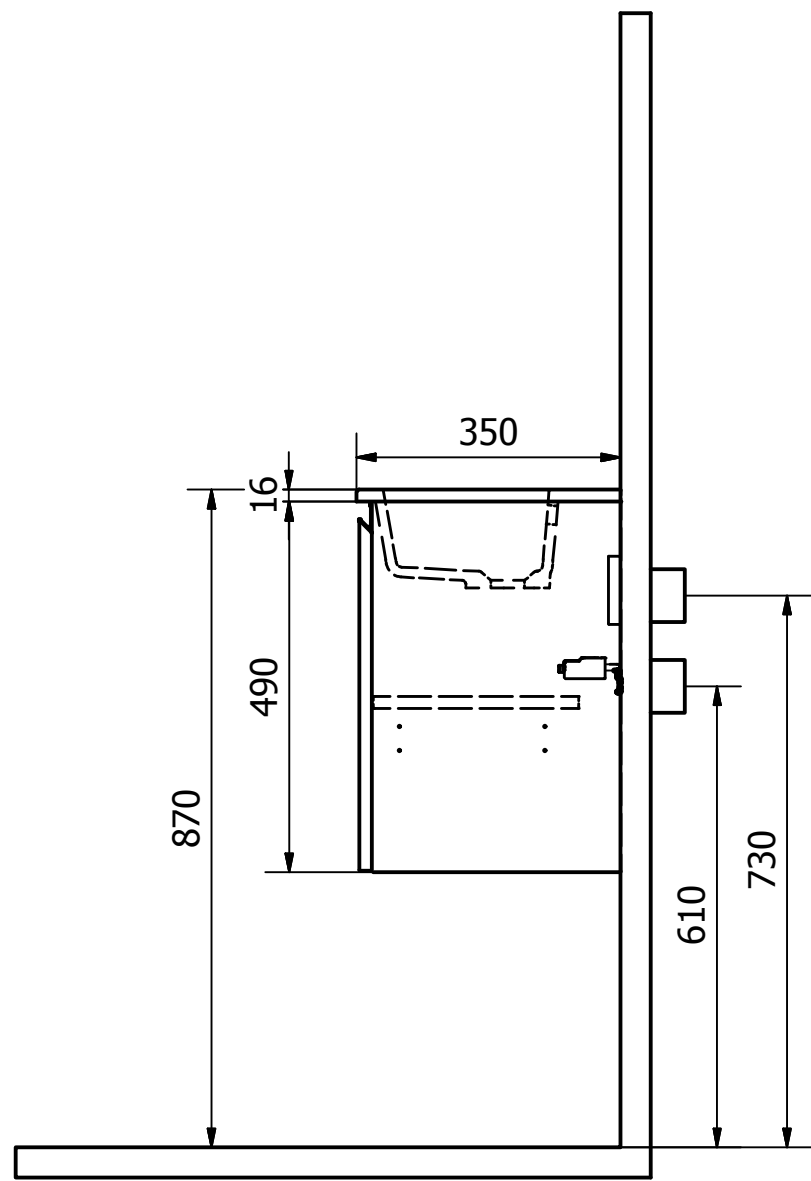


This document must not be copied without our written permission and the contents thereof must not be imparted to a third party nor be used for any unauthorized purpose. Contravention will be prosecuted.



| | | | | | | | |
|--|------------|-------------|---|---------------------------------|--------------------|------------------|-----------------|
| Material According to agreed specifications | | | | A-surface ----- | B-surface | | |
| Designed by KON | Checked by | Approved by | Appr. Date | General tolerance ISO 2768 c | Weight N/A | Projection ☞ | Scale 10 : 1 |
| ICONIC NORDIC ROOMS | | | Title/Name | | | Sheet size A3 | |
| | | | Drawing no./Article no. InnoLabormat_Vislan_Stenkomposit_40_50_Lucka | | | Rev. 1 | Sheet 1 / 1 |

INR