

woodio®

**WASHBASIN
INSTALLATION INSTRUCTIONS**

SOFT 32 | SOFT 40 | SOFT 60 | CUBE 40 | CUBE 40 SLIM | CUBE 60 | UNIT 80

MADE IN FINLAND

Woodio products are manufactured in Finland at Woodio's own factory in Helsinki. The Association for Finnish Work has awarded all Woodio products the Key Flag symbol in recognition of products made in Finland. We have also been awarded the Design from Finland mark that is awarded to companies that have contributed to Finnish design. We are proud to carry these awards as a symbol of Finnish work, design and craftsmanship.



**DESIGN DEED
OF THE YEAR
2019**



STANDARDS COMPLIANT

Complies with EU sanitary appliances standard (EN14688).
Woodio basin can be installed in bathrooms used domestically and commercially.
Can be disposed as energy waste.



CARE INSTRUCTIONS

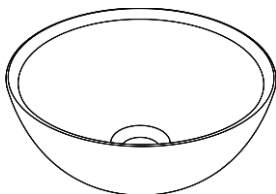
If necessary, clean with a water dampened soft cloth and a mild non-abrasive dish detergent or soap. Do not use steel wool, hard or sharp tools which can scratch the surface of the sink.



CUSTOMER CARE

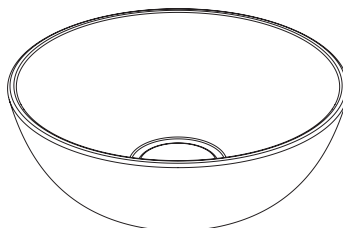
woodio@woodio.fi
+358 50 478 2944

SOFT



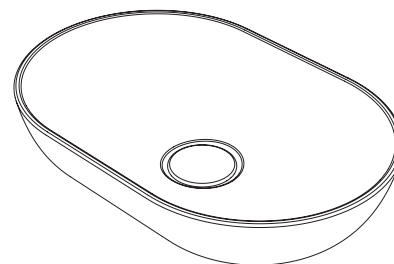
SOFT32 TABLE TOP

320 mm x 320 mm x 130 mm
EN 14688 – CL 00



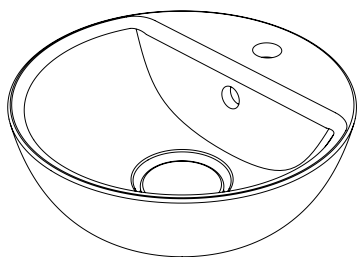
SOFT40 TABLE TOP

400 mm x 400 mm x 150 mm
EN 14688 – CL 00



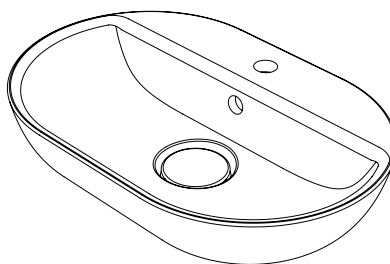
SOFT60 TABLE TOP

600 mm x 400 mm x 135 mm
EN 14688 – CL 00



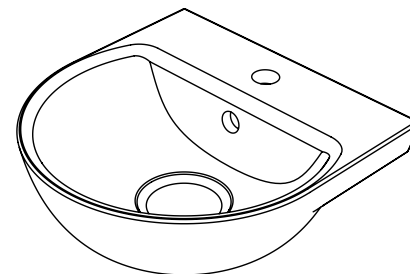
SOFT40 WITH A FAUCET

400 mm x 400 mm x 150 mm
EN 14688 – CL 10



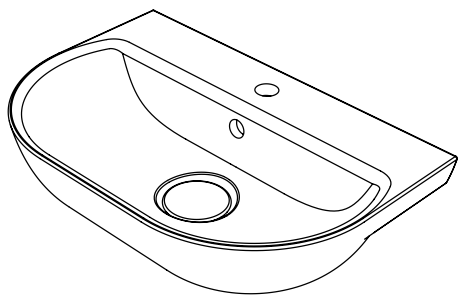
SOFT60 WITH A FAUCET

600 mm x 400 mm x 135 mm
EN 14688 – CL 10



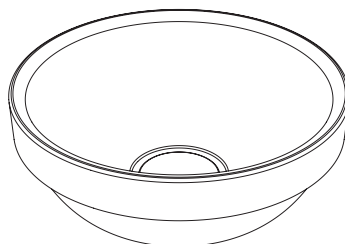
SOFT40 WALL HUNG

400 mm x 400 mm x 150 mm
EN 14688 – CL 10



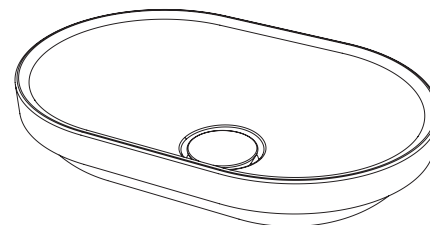
SOFT60 WALL HUNG

600 mm x 400 mm x 135 mm
EN 14688 – CL 10



SOFT40 RECESSED

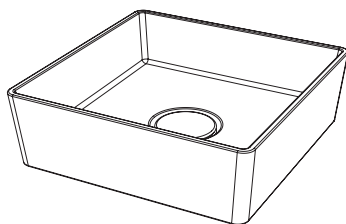
400 mm x 400 mm x 150 mm
EN 14688 – CL 00



SOFT60 RECESSED

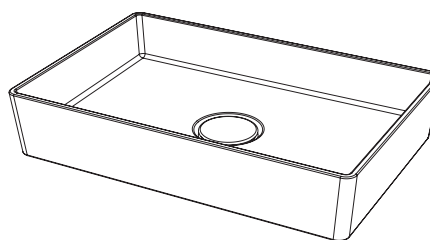
600 mm x 400 mm x 135 mm
EN 14688 – CL 00

CUBE



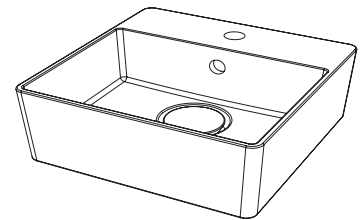
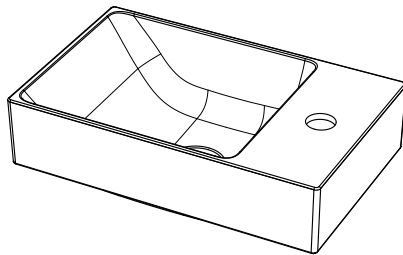
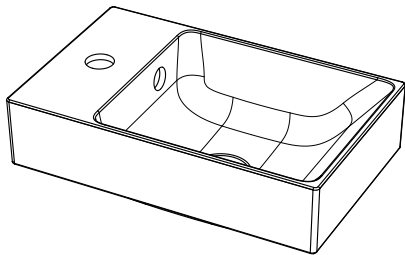
CUBE40 TABLE TOP

400 mm x 400 mm x 150 mm
EN 14688 – CL 00



CUBE60 TABLE TOP

600 mm x 400 mm x 135 mm
EN 14688 – CL 00

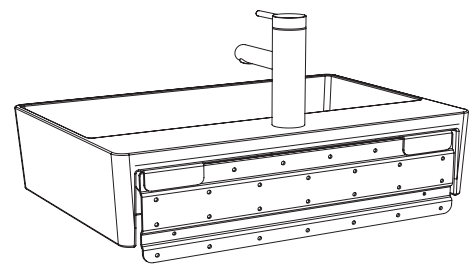
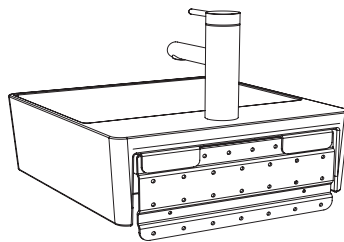
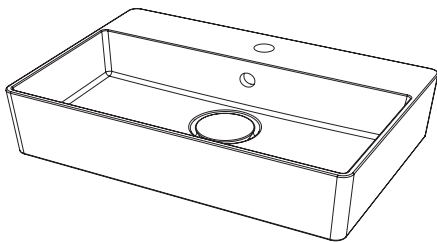


CUBE40 SLIM WALL HUNG, LEFT OR RIGHT HANDED

400 mm x 250 mm x 90 mm
EN 14688 – CL 10

CUBE40 WITH A FAUCET

400 mm x 400 mm x 150 mm
EN 14688 – CL 10



CUBE60 WITH A FAUCET

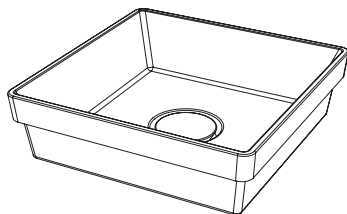
600 mm x 400 mm x 135 mm
EN 14688 – CL 10

CUBE40 WALL HUNG

400 mm x 400 mm x 150 mm
EN 14688 – CL 10

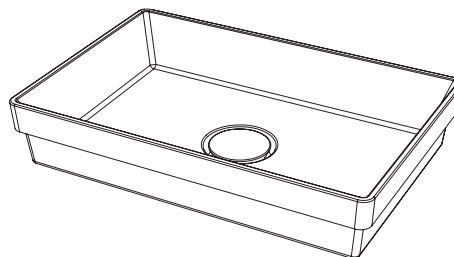
CUBE60 WALL HUNG

600 mm x 400 mm x 135 mm
EN 14688 – CL 10



CUBE40 RECESSED

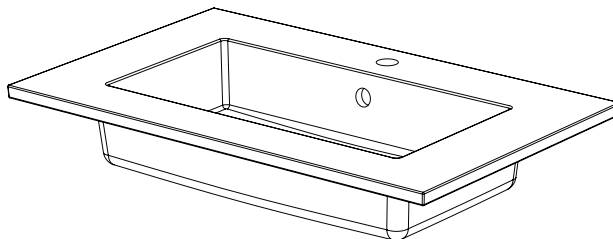
400 mm x 400 mm x 140 mm
EN 14688 – CL 00



CUBE60 RECESSED

600 mm x 400 mm x 125 mm
EN 14688 – CL 00

UNIT



UNIT80 INTEGRATED

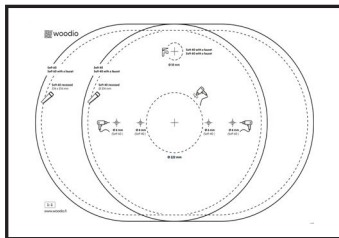
138mm x 812mm x 503mm
EN 14688 – CL 10

CONTENT

Soft40 table top
Soft60 table top
Soft40 with a faucet
Soft60 with a faucet

Cube40 table top
Cube60 table top
Cube40 with a faucet
Cube60 with a faucet

 10-11



x1



x2



x2

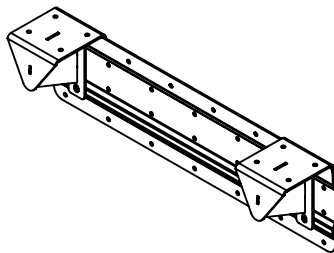


x2

Soft40 wall hung
Soft60 wall hung

Cube40 wall hung
Cube60 wall hung

 12-13



x1

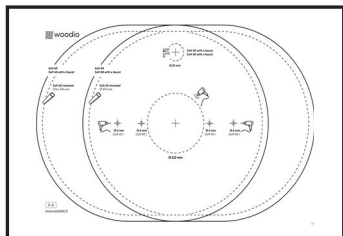


x2



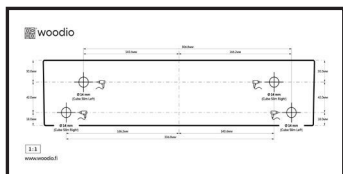
Soft40 recessed
Soft60 recessed

Cube40 recessed
Cube60 recessed



x1

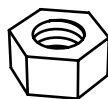
Cube40 Slim



x1



x2



x2



x2



x2

Unit80 integrated

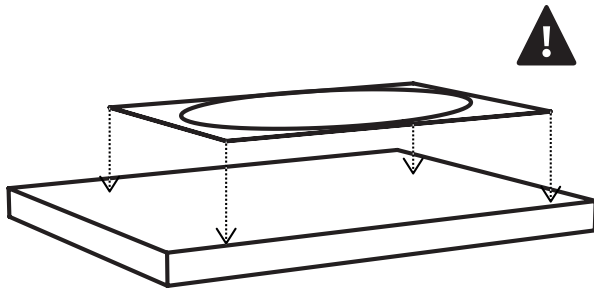


INSTALLATION

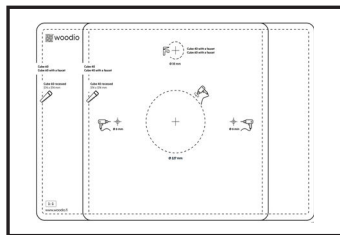
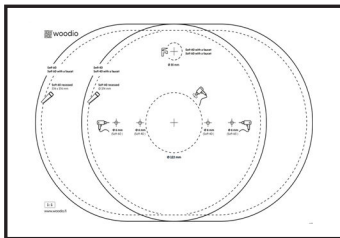
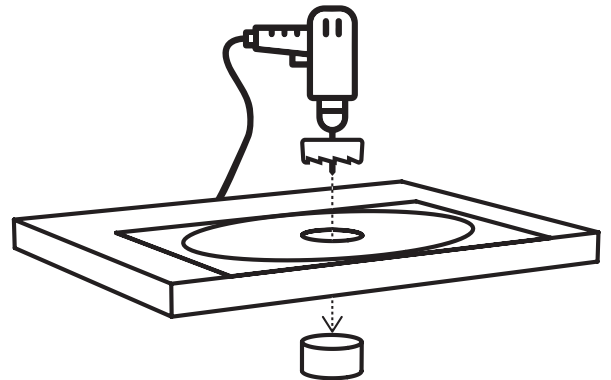
Soft40 table top
Soft60 table top
Soft40 with a faucet
Soft60 with a faucet


Cube40 table top
Cube60 table top
Cube40 with a faucet
Cube60 with a faucet

1.



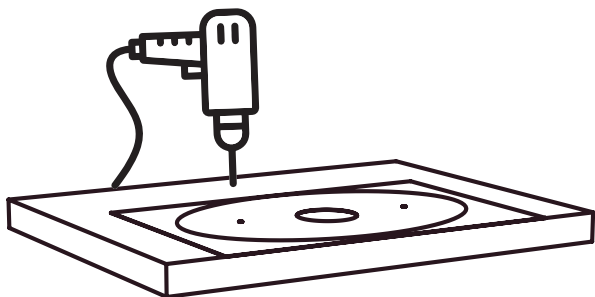
2.



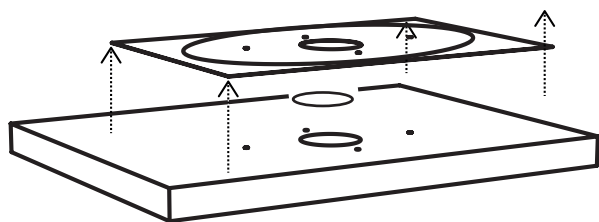
 Use the template, in the package, to help you with the right installation dimensions when cutting into your table top. Please note that the installation requires a water trap and a separate drainpipe depending on the site.



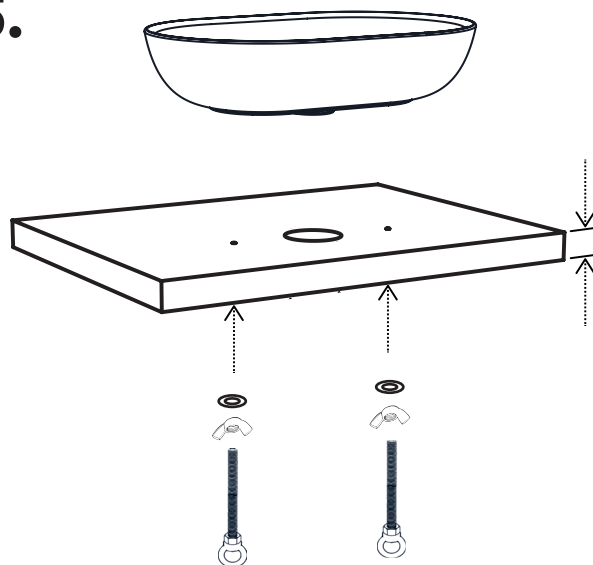
3.



4.



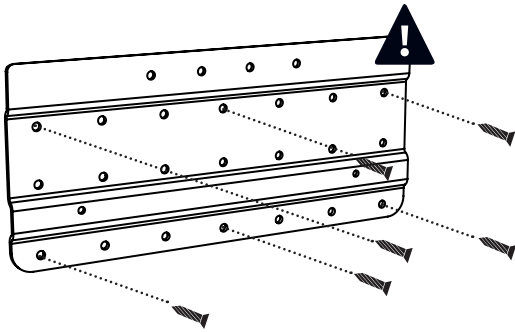
5.



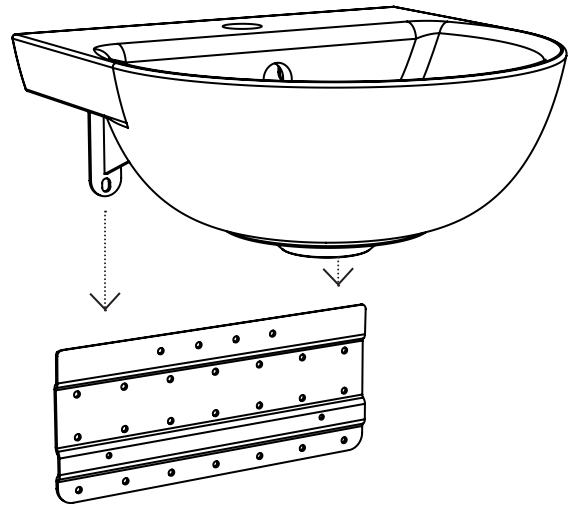
INSTALLATION


Soft40 wall hung
Soft60 wall hung
Cube40 wall hung
Cube60 wall hung

1.

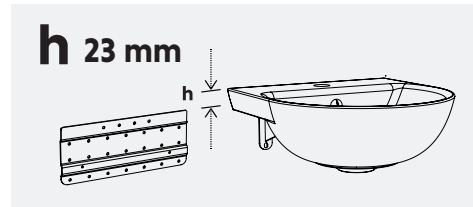


2.



 Please note that screws for wall mounting are not included. Different types of fasteners are required for different types of wall materials.

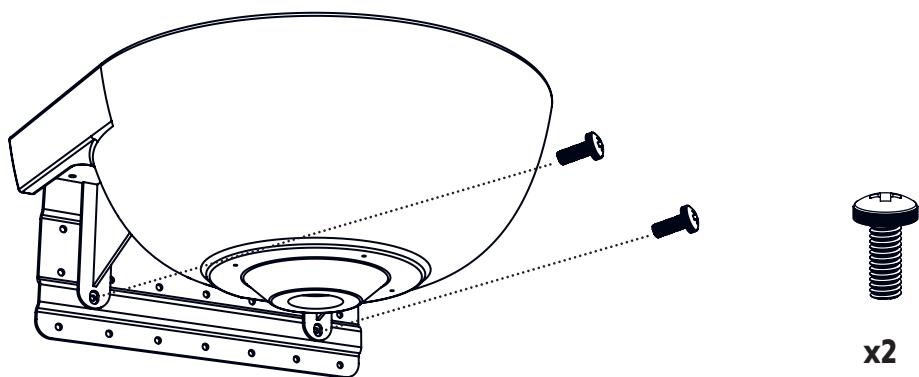
Distribute screws evenly.



Sink level is 23 mm higher than the wall piece.



3.

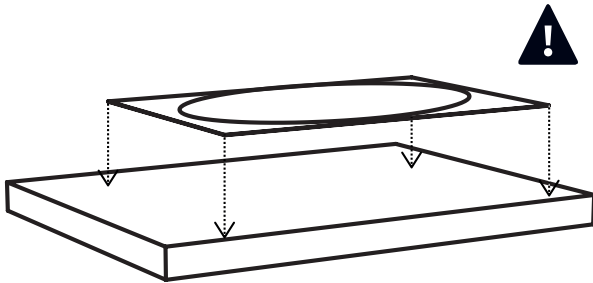


⚠ Please note that the installation requires a water trap and a separate drainpipe depending on the site.

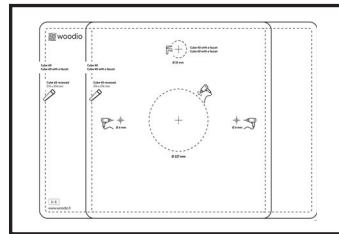
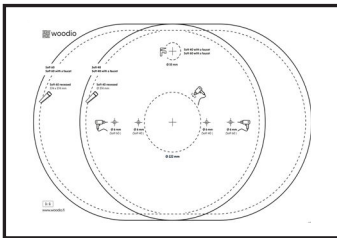
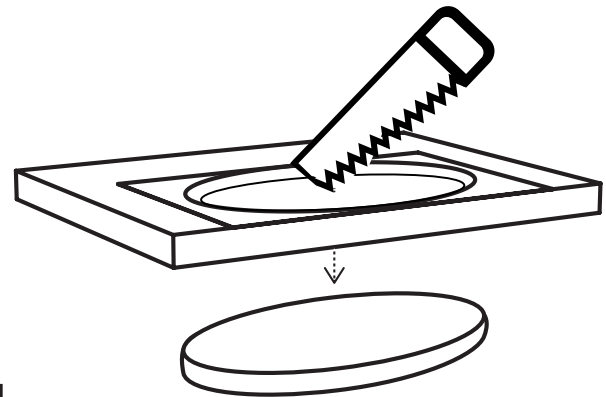
INSTALLATION


Soft40 recessed
Soft60 recessed
Cube40 recessed
Cube60 recessed

1.



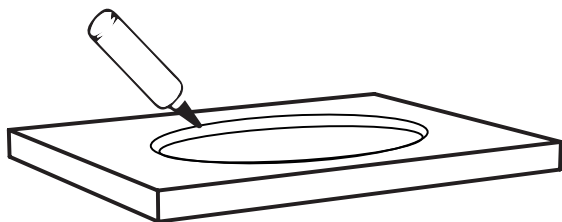
2.



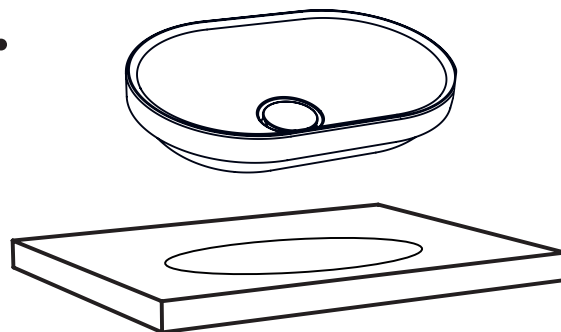
 Use the template, in the package, to help you with the right installation dimensions when cutting into your table top. Please note that the installation requires a water trap and a separate drainpipe depending on the site.



3.



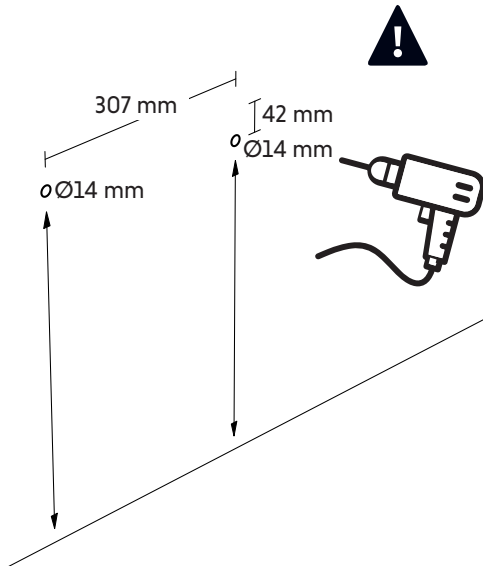
4.



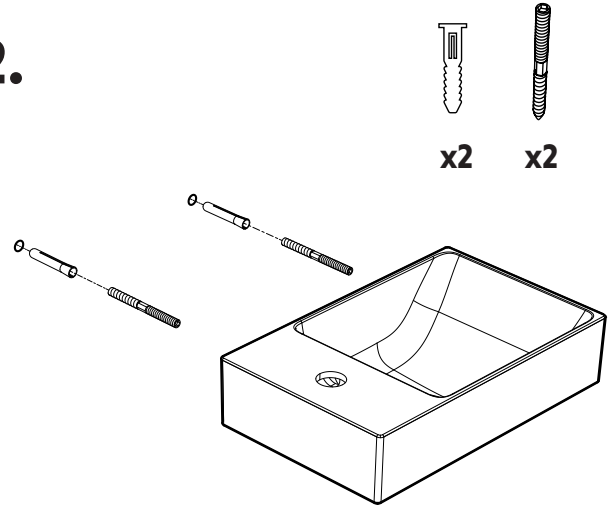
INSTALLATION

Cube40 Slim

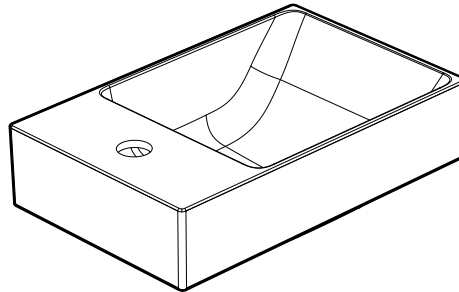
1.



2.



3.



Use the template, in the package, to help you with the right installation dimensions.

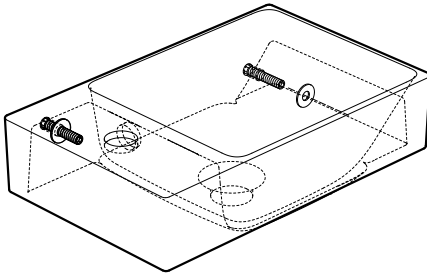
Note! Before drilling holes in the wall, ensure that there are no water or gas pipes or electrical wires at the drilling site. There are electronic detectors specifically designed for locating pipes and wires inside the wall. The brackets that come with the Woodio basin are intended for stone and concrete walls. Thin-walled structures such as plasterboard require their own type of fasteners.



4.



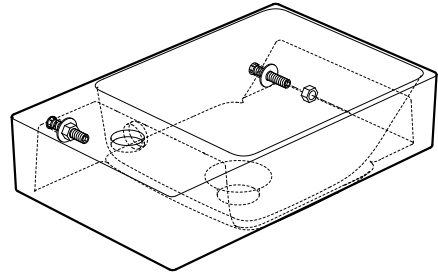
x2



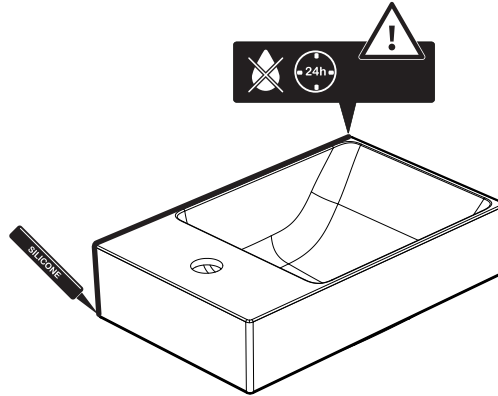
5.



x2



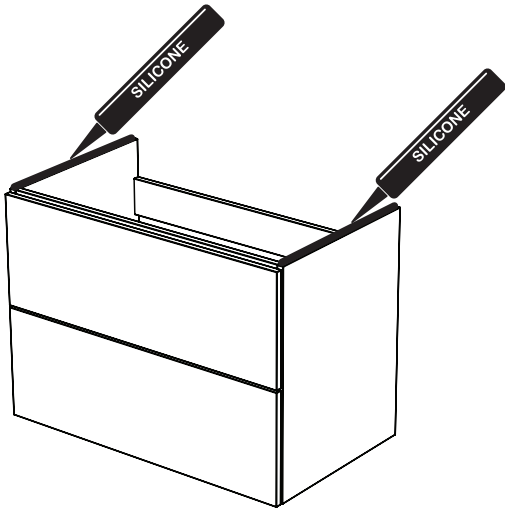
6.



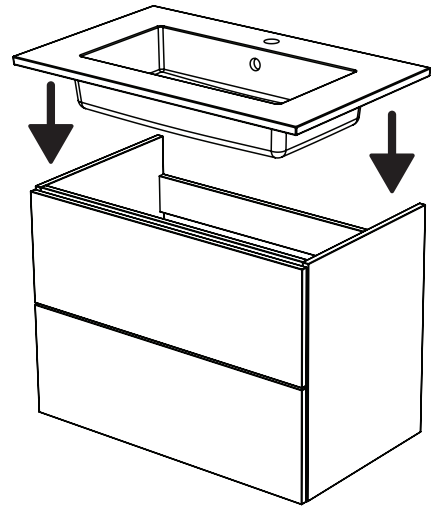
INSTALLATION

Unit80 integrated

1.



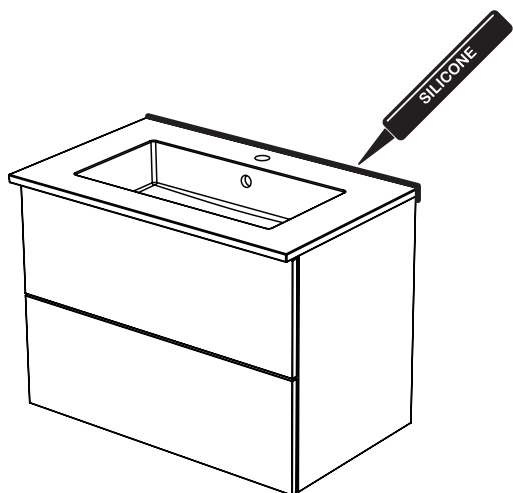
2.



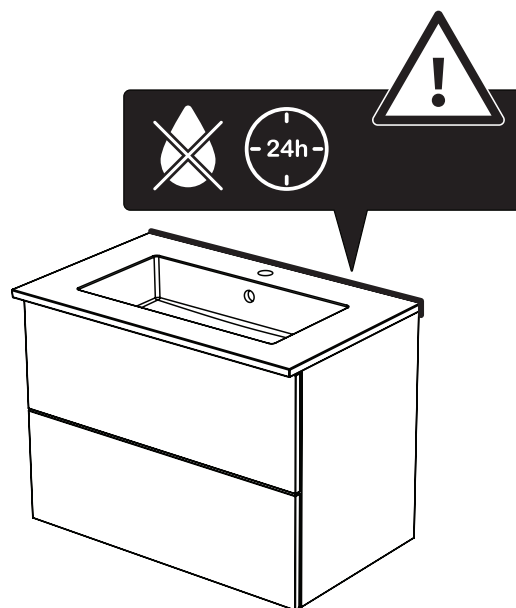
Please note, that the installation requires a drain valve and a water trap. Also a separate drainpipe is required depending on the site .



3.



4.



Yes, it's wood.

WOODIO OY, FINLAND

WWW.WOODIO.FI

